

VISION3 LIGHTING

LED Wall Mount **MODEL WM2** 120-277V, 15W Max. Integral Driver COB LED 30W Max. COB LED (Remote Driver Required)

Specifications

Material

Available in machined 6061-T6 aluminum or C36000 brass with 18-8 stainless steel hardware.

Cap

Machined cap locks in place with one 18-8 stainless steel set screw, and is sealed to the body with a high temperature silicone O-ring. Round C2 & C4 caps have drain holes for water drainage from top of lens. Square caps feature removable and field interchangeable cutoffs with 'flow-through' design for 360° drainage with no light leak. All caps accept up to two internal accessories, held in place by a stainless steel clip.

Mount Canopy

Available with the following mount options: MO3 (Machined Round Canopy), MO15 (Machined Square Canopy), and MO12 (Surface Mount Powered Canopy); and may be mounted in the up or down position. Stem is permanently attached to the mount canopy to prevent loosening. MO3 & MO15 mount options come mounted to a steel universal mounting ring for ease of mounting and adjustment on an industry standard round junction box. See mount specification sheets for more information. (Mount canopy must be mounted to an appropriate wall or junction box, in such a manner that is capable of holding the weight

of the fixture. Junction box and hardware not included).

Finish

TGIC thermo set polyester powder coat paint available in 14 standard colors. On aluminum model, finish is applied over a corrosion resistant, hexavalent chromium free, RoHS compliant coating. Aluminum model available in one additional metal finish: Clear Anodized. Brass model available in three additional metal finishes: Natural, Polished, and Aged.

Light Engine

Both COB LED light engine options use industry standard replaceable components and quick disconnects for ease of field maintenance and future upgrades, and includes features like: field changeable optics (15°, 24°, 36°, 55°, 65°), choice of color temperature (2700K, 3000K, 3500K, 4000K), CRI (80, 90), and an L70 > 50,000 hrs.

Integral Driver COB LED option: Includes a field replaceable driver module with a 350mA, 15W max Class 2 driver for features like: 1600lm⁷ max. nominal output, 105 lm/W efficacy, 120-277VAC (50/60Hz) input, programmable tri-dimming (TRIAC, ELV, 0-10V) down to 1%, and various protection features (input over current, short circuit and over current, internal over temperature,

output open load). Notes: driver can be programmed for dimming profile or lower lumen output. Contact V3 for info. For compatible dimmers, see Compatible Dimmer list.

COB LED option: Requires Vision3 approved constant current remote driver or driver mount (to be specified separately). Includes performance of 1800lm⁷ @ 350mA, 2400lm⁷ @ 500mA, 3200lm⁷ @ 700mA. Note: see specification sheet of driver mount being specified for appropriate driver ratings.

Certification

CSA tested & certified to US and Canadian safety standards per UL1598 for wet location use in wall mount applications.

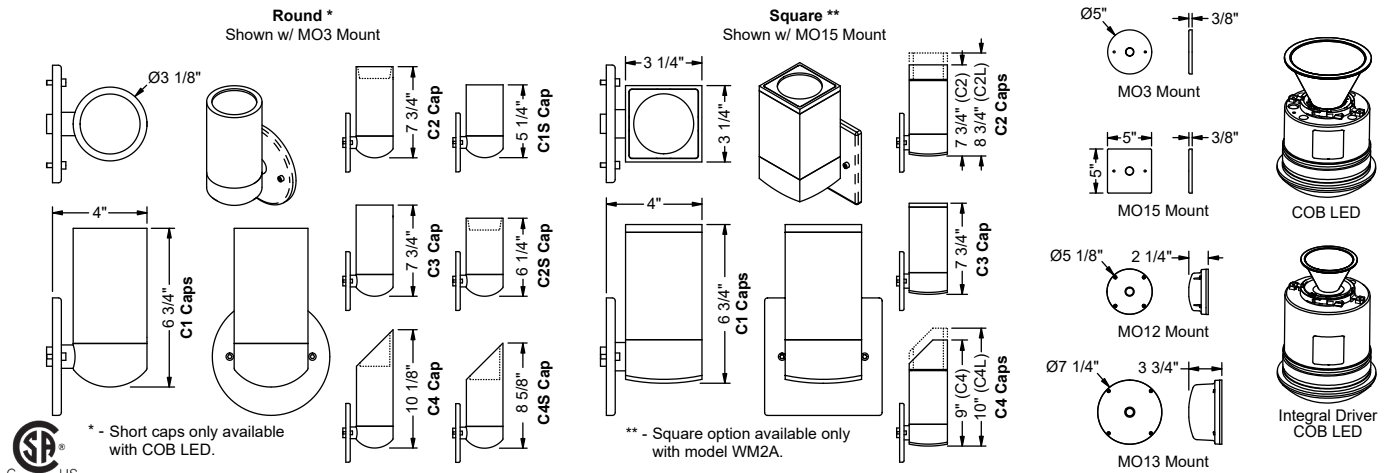
Integral Driver COB LED:

Integral driver COB LED available in all configurations.

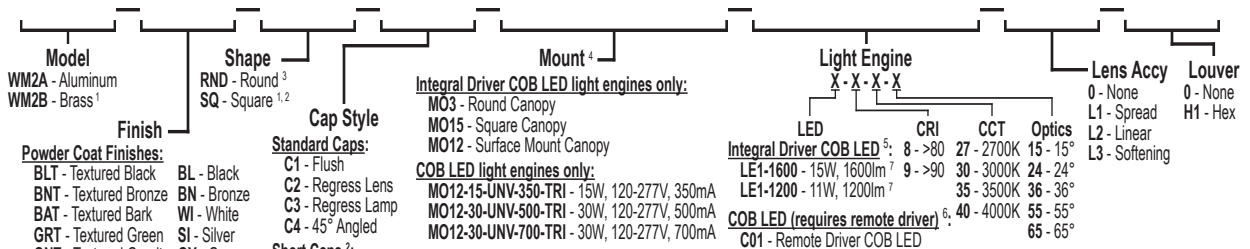
COB LED:

WM2(A or B) - 700mA max driver current.

All ratings subject to change without notice. See web site or contact V3 for most current info.



Ordering Information



- SQ shape available with model WM2A and MO3 & MO15 mounts only.
- Short cap options only available with round (RND) COB LED Light Engine options.
- Long cap options only available with SQ shape.
- See mount specification sheet for mount details.
- Integral Driver COB LED Light Engine options do not require a separately specified remote driver. See specifications above for required voltage input.
- COB LED Light Engine options must be used with an approved Vision3 constant current driver / mount

- (specified separately). Note: allowable drive current may be limited by fixture options. See 'Certification' heading above.
- All lumen values cited are nominal lumen output (ideal lumen output of light engine only in lab conditions). Actual fixture output will vary with cap type, material, lens/optics options, and environmental conditions. For more accurate information, see fixture photometry files on website.
- Specifications, certifications, and ordering information are subject to change. Please check website for latest specification sheets.

Example: WM2A - BLT - RND - C3 - MO3 - LE1-1600-8-40-55 - 0 - 0